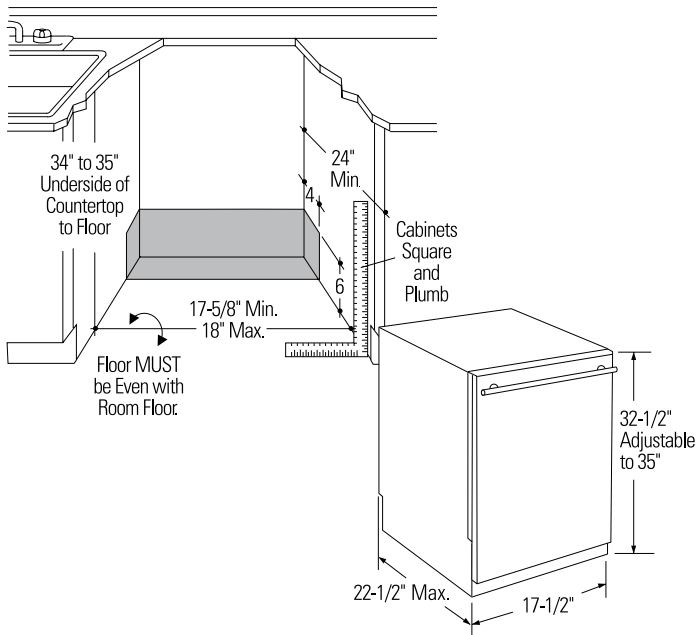


ZBD1850NII

GE Monogram® 18" Dishwasher

Dimensions and Installation Information (in Inches)



ADA-Compliant ZBD1850NII:

Installation below 34"-high countertops

A reduced-height installation (32-1/2" min.) beneath a 34" countertop can be accomplished by removing the front leveling legs. The rear legs should be screwed in flush with the bottom support, as shipped. The front of the dishwasher must be shimmed to level it. Water and electrical must be routed through the back wall.

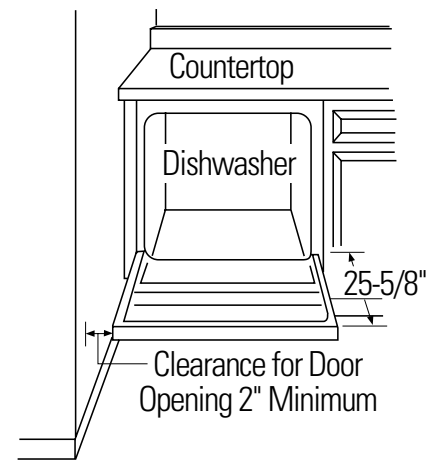
Electrical Requirements

The dishwasher must be supplied with 120V, 60Hz, and connected to an individual properly grounded branch circuit protected by a 15- or 20-amp circuit breaker or time-delay fuse.

- The dishwasher must be installed so that the drain hose is no more than 10 feet in length for proper drainage.
- The dishwasher must be fully enclosed on the top, sides and back, and must not support any part of the enclosure.

CLEARANCES:

When installed into a corner, allow 2" min. clearance between dishwasher and adjacent cabinet, wall or other appliances. Allow 25-5/8" min. clearance from the front of the dishwasher for door opening.



Installation Information:

Before installing, consult installation instructions packed with product, or available at Monogram.com, for current dimensional data.

For answers to your Monogram®, GE Profile™ or GE® appliance questions, visit our website at ge.com or call GE Answer Center® service, 800.626.2000.



imagination at work



Listed by
Underwriters
Laboratories



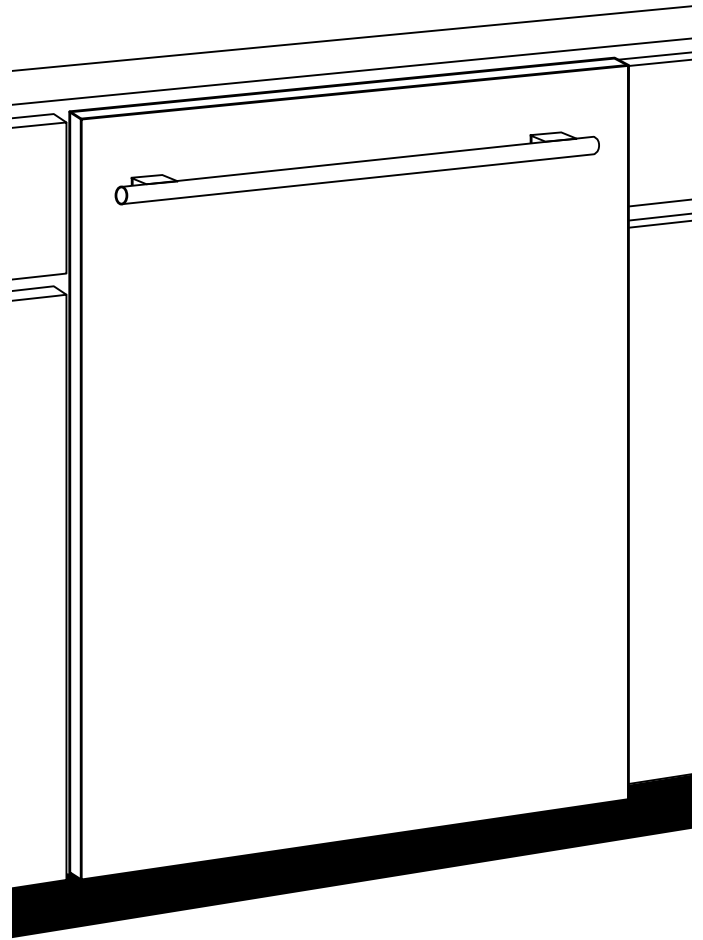
As an ENERGY STAR® partner, GE has determined that this product meets the ENERGY STAR guidelines for energy efficiency.

ZBD1850NII

GE Monogram® 18" Dishwasher

Features and Benefits

- Custom Panel Model - Designed for personalization with customer-supplied cabinet-compatible panel and custom handle
- Hidden, Integrated Electronic Controls - Allow easy activation of wash cycles: heavy wash, normal wash, light wash, china and rinse only
- Five-Level Wash System - Provides effective, yet quiet cleaning power
- ENERGY STAR® Qualification - As an ENERGY STAR® partner, GE has determined that the Monogram® 18" dishwasher meets the ENERGY STAR guidelines for energy efficiency and water conservation
- Pearlescent Gray, Nylon-Coated Racks with Ball-Tipped Tines - Provide plenty of space and loading flexibility
- StemSafe™ Shelf - Allows for odd-shaped items and delicate stemware
- Model ZBD1850NII - Stainless steel



For answers to your Monogram®, GE Profile™ or GE® appliance questions, visit our website at ge.com or call GE Answer Center® service, 800.626.2000.



imagination at work



Listed by
Underwriters
Laboratories